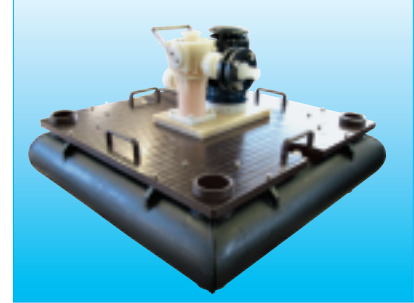


VERTICAL CENTRIFUGAL IMMERSION PUMP

Series RT4

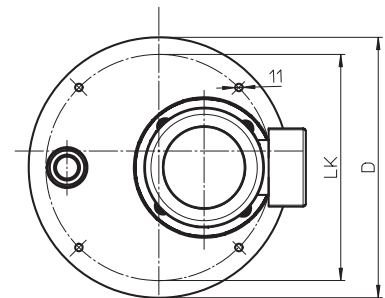
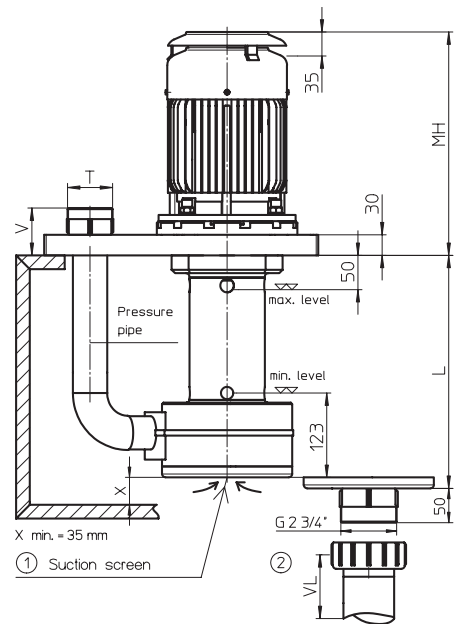
safe to run dry without shaft
intermediate bearing up to an
immersion depth of 500 mm



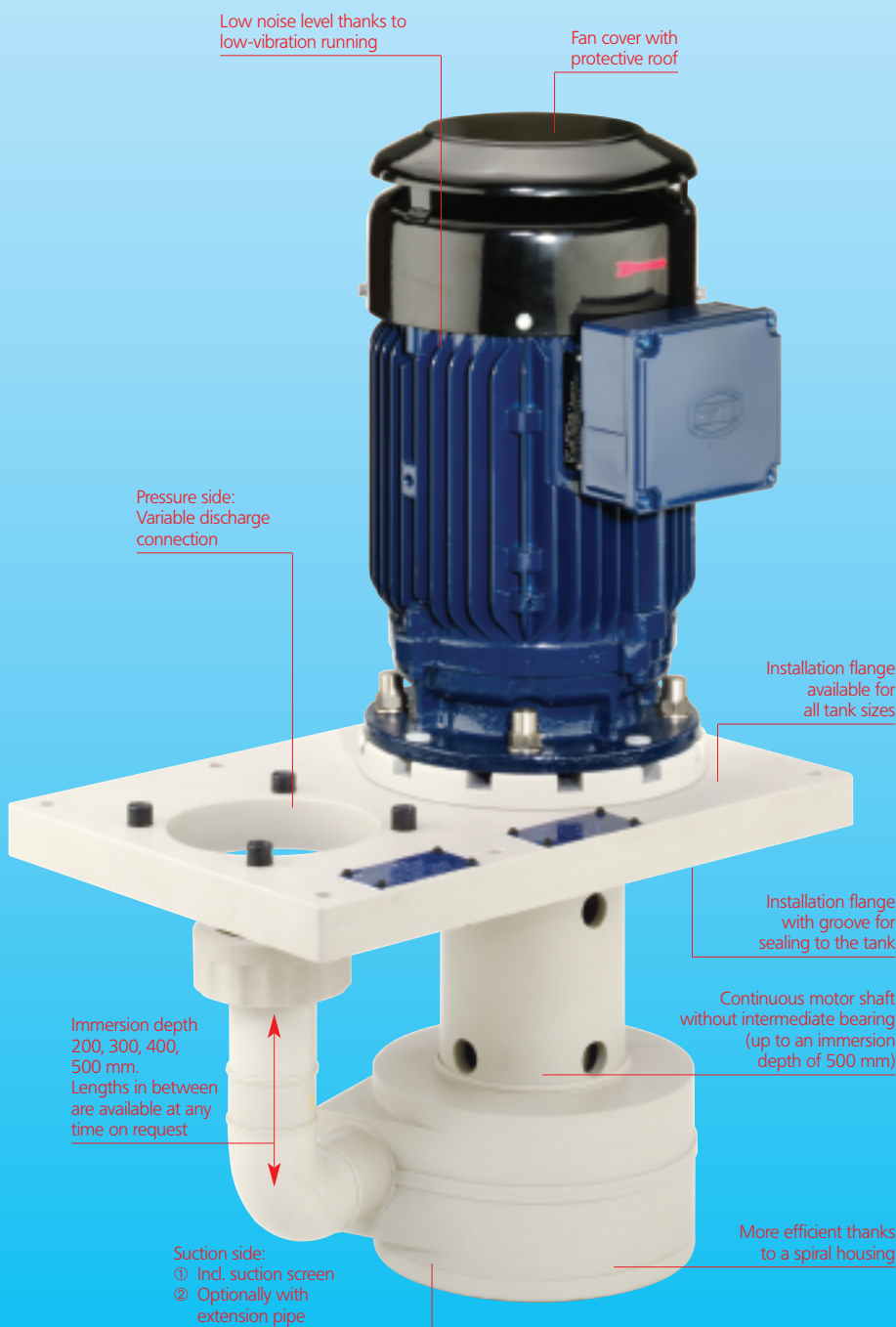
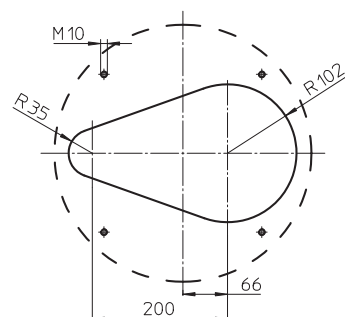
Note

Please refer to the detailed technical information on Pages 5 to 11, which applies to all modules.

Dimensions in mm



Installation opening



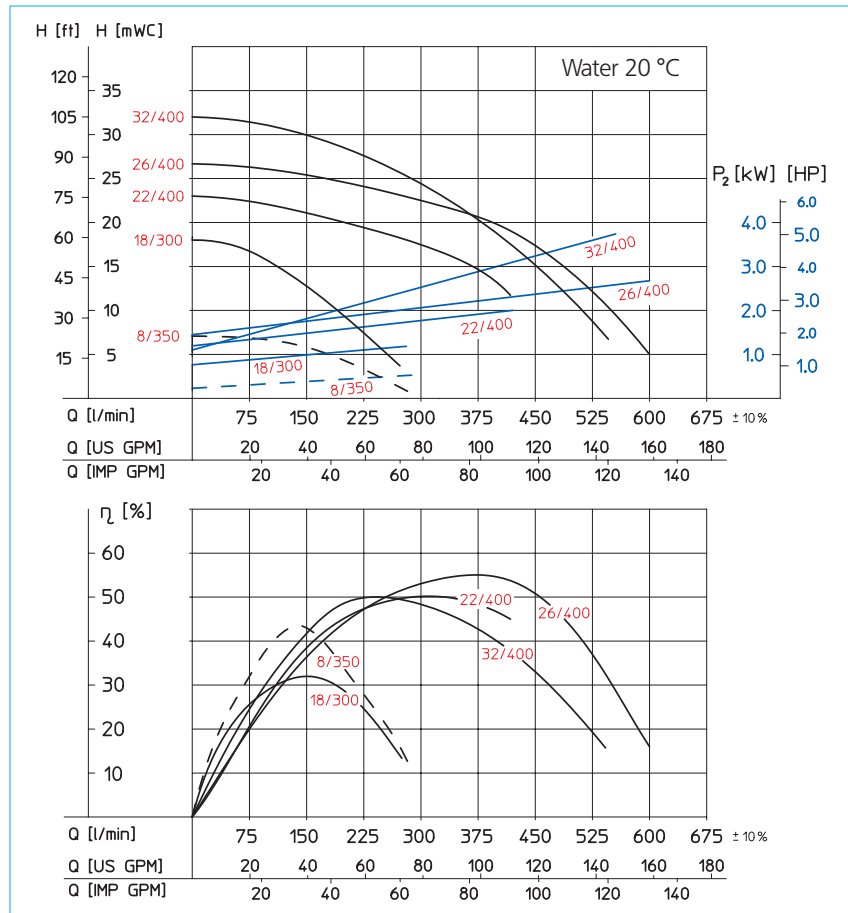
For piping in the tank, the pump is also available without a pressure pipe.

Precise documentation ensures planning reliability for your construction

On the basis of exact performance data, you can choose the exact pump that you need for your plants. The Renner design and production principle also allows individual solutions to be realised.

Accessories

- Extension pipe VL max. = 500 mm
- Connecting cable completely wired with plug



Size	8/350	18/300	22/400	26/400	32/400
Hydraulic data					
Max. delivery rate [l/min / US GPM]	300 / 79.3	300 / 79.3	400 / 105.7	600 / 158.5	550 / 145
Max. delivery head [mWC / ft.]	7 / 23'	18 / 59'	23 / 75.5'	26 / 85.3'	32 / 105'
Motor data					
Motor power P ₂ * at 50 Hz [kW / HP]	1.1 / 1.5	1.1 / 1.5	1.8 / 2.5	3.7 / 5	3.7 / 5
Motor power P ₂ * at 60 Hz [kW / HP]	1.3 / 1.8	1.3 / 1.8	2 / 2.7	3.7 / 5	3.7 / 5
Speed at 50 Hz [rpm]	1450	2850	2850	2850	2850
Speed at 60 Hz [rpm]	1750	3450	3450	3450	3450
Voltage	230/400 V 3-ph. **				
Protection type	IP55 ***				
Dimensions					
Installation height [MH] [mm / inch]	350 / 13.8"	294 / 11.6"	291 / 11.4"	316 / 12.4"	316 / 12.4"
Connections	Suction screen				
Suction side ①	Suction screen				
Suction side ②	G 2 3/4				
Pressure side [T]	G 2 1/4				

Immersion depth L [mm / inch]	200 / 7.87"	300 / 11.8"	400 / 15.7"	500 / 19.7"
Discharge connection height [V] [mm / inch]	Standard = 69 / 2.7" alternatively with other dimensions, rotatable, with angle 90° etc.			
Installation flange [D], [LK] [mm / inch]	Ø 380 / 15", LK 330 / 13" other dimensions always possible, also available as a rectangular flange			

* All pumps are also available with smaller impeller diameters for liquids with higher specific gravities although this reduces the delivery rates and delivery heads. If necessary, please consult us.

** All international voltages and frequencies are available.

*** Other protection types on request.

Exclusive North American Sales
& Service By:



More than just pumps

FLUX PUMPS CORPORATION

300 Townpark Drive, Suite 130

Kennesaw, GA 30144, USA

Phone 800-367-3589

info@fluxpumpsusa.com

www.fluxpumpsusa.com